

GK 系列
SERIES

Fuston/Printed Terminal Type,
For Inverter And Air-Conditioner

◆ **特 长** FEATURES

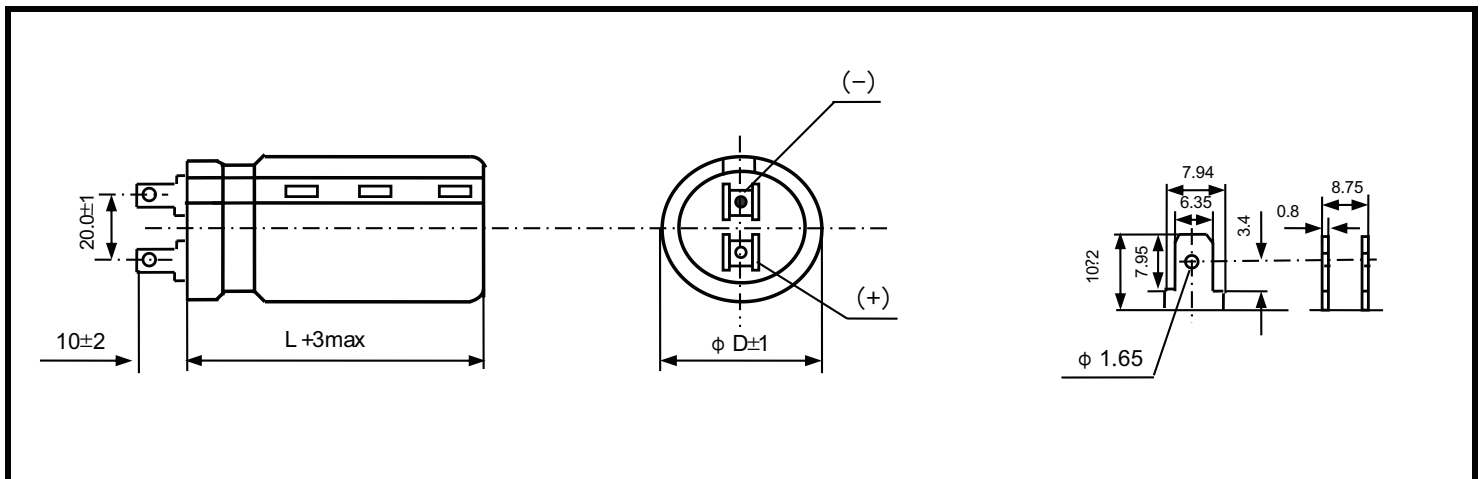
- 为变频空调和工业变频器设计之专用品
Design for in verter and air-conditioner
- 能承受较高的纹波电流 High ripple current capability
- 具有高可靠性 High stability

◆ **特性表** SPECIFICATIONS



项 目 Item	特 性 Characteristics	
使用温度范围 Operating Temperature Range	-25~+85°C or 105°C	
额定电压范围 Rated Voltage Range (W.V)	400~450 V.DC	
静电容量允许偏差 Capacitance Tolerance	±20%(+20°C, 100 or 120 Hz)	
漏 电 流 (I) DC Leakage Current	$I \leq \sqrt{CV}$ (施加额定电压5分钟后测试) +20°C 测试 $I \leq CV\sqrt{\max}$. After 5 minutes application of rated working voltage at +20°C C:Capacitance V:W.V	
损耗角正切值 (tanδ) Dissipation Factor	0.15 or less +20°C, 100 or 120 Hz	
高温负荷特性 Lode Life	85°C /105°C加额定电压 2000小时后满足如下要求: After 2000 hours application of rated voltage at 85°C/105°C	
	静电容量变化率 Capacitance Change	初期值的 ±20%以内 With in ±20% of the initial value
	损耗角正切值 Dissipation Factor	规格值的 200%以内 Not more than 200% of the specified value
	漏电流 Leakage Current	规格值以下 Not more than the specified value
高温无负荷特性 Shelf Life	+85°C /105°C 1000小时无负荷放置后, 特性应满足高温负荷特性 After storage for 1000 hours at 85°C/ +105°C with no voltage applied ,the capacitor shall meet the specified limits for "Lode Life".	

◆ **“U”型引出端子尺寸图** FUSTON TERMNAL DIMENSIONS



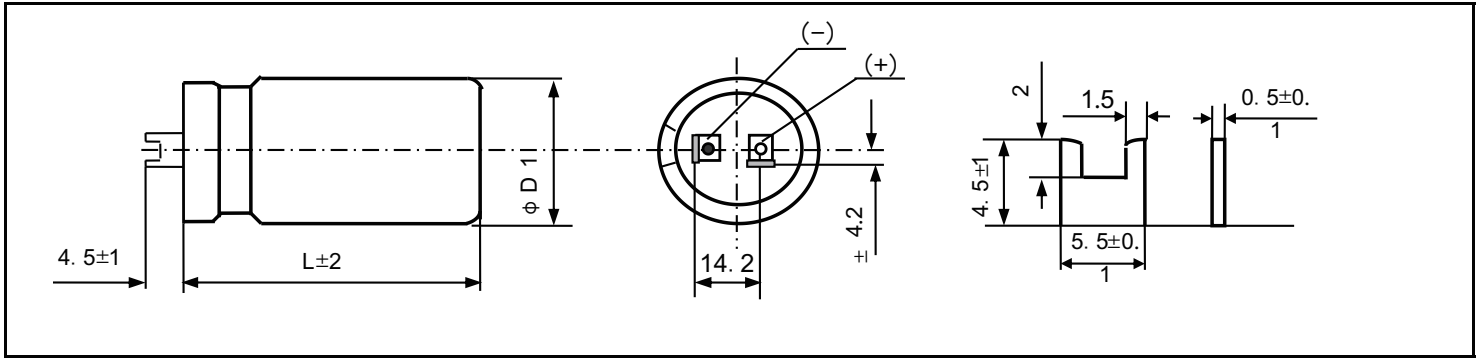
◆ 尺寸/最大允许纹波电流一览表 Standard size / Ripple current Ar.m.s (100/120Hz, + 85°C)

额定电压 W. V. (V)	静电容量 CAP (μF)	外型尺寸 φ D×L (mm)	额定纹波电流 Ripple current (A)	品号 Part No.
400 (2G)	800 (801)	35×80	3.20	EK801GK2G-3580M
	900 (901)	35×90	3.60	EK901GK2G-3590M
	1000 (102)	35×100	4.00	EK102GK2G-35100M
	1200 (122)	40×100	4.20	EK122GK2G-40100M
	1300 (132)	40×100	4.90	EK132GK2G-40100M
	1500 (152)	45×100	5.60	EK152GK2G-45100M
	1800 (182)	45×100	6.05	EK182GK2G-45100M
	2000 (202)	50×100	6.20	EK202GK2G-50100M
	2200 (222)	50×120	6.50	EK222GK2G-50120M
	2500 (252)	63×100	6.80	EK252GK2G-63100M
	2700 (272)	63×100	7.30	EK272GK2G-63100M
	2900 (292)	63×100	7.85	EK292GK2G-63100M
	3300 (332)	63×120	8.10	EK332GK2G-63120M

额定电压 W. V. (V)	静电容量 CAP (μF)	外型尺寸 φ D×L (mm)	额定纹波电流 Ripple current (A)	品号 Part No.
420 (2S)	800 (801)	35×90	3.35	EK801GK2S-3590M
	900 (901)	35×100	3.75	EK901GK2S-35100M
	1000 (102)	40×100	4.20	EK102GK2S-40100M
	1200 (122)	45×100	4.40	EK122GK2S-45100M
	1300 (132)	45×100	5.10	EK132GK2S-45100M
	1500 (152)	50×100	5.85	EK152GK2S-50100M
	1800 (182)	50×100	6.35	EK182GK2S-50100M
	2000 (202)	50×120	6.50	EK202GK2S-50120M
	2200 (222)	63×100	6.80	EK222GK2S-63100M
	2500 (252)	63×100	7.15	EK252GK2S-63100M
	2700 (272)	63×120	7.65	EK272GK2S-63120M
	2900 (292)	63×120	8.20	EK292GK2S-63120M

额定电压 W. V. (V)	静电容量 CAP (μF)	外型尺寸 φ D×L (mm)	额定纹波电流 Ripple current (A)	品号 Part No.
450 (2W)	800 (801)	35×90	3.00	EK801GK2S-3590M
	900 (901)	35×100	3.40	EK901GK2S-35100M
	1000 (102)	40×100	3.75	EK102GK2S-40100M
	1200 (122)	45×100	3.95	EK122GK2S-45100M
	1300 (132)	45×100	4.60	EK132GK2S-45100M
	1500 (152)	50×100	5.25	EK152GK2S-50100M
	1800 (182)	50×100	5.70	EK182GK2S-50100M
	2000 (202)	63×100	5.85	EK202GK2S-50120M
	2200 (222)	63×100	6.10	EK222GK2S-63100M
	2500 (252)	63×100	6.40	EK252GK2S-63100M
	2700 (272)	63×120	6.85	EK272GK2S-63120M

◆ "凹"型引出端子尺寸图 PRINTED BOARD TERMINAL DIMENSIONS



◆ 尺寸/最大允许纹波电流一览表 Standard size / Ripple current

Ar.m.s (100/120Hz, + 85°C)

额定电压 W.V. (V)	静电容量 CAP (μF)	外型尺寸 φ D x L (mm)	额定纹波电流 Ripple current (A)	品号 Part No.
400 (2G)	33 0(33 1)	35x 35	1. 90	EJ331LG K2G-3535M
	36 0(36 1)	35x 35	1. 98	EJ361LG K2G-3535M
	39 0(39 1)	35x 40	2. 13	EJ391LG K2G-3540M
	42 0(42 1)	35x 40	2.2.4	EJ421LG K2G-3540M
	47 0(47 1)	35x 40	2. 52	EJ471LG K2G-3540M
	56 0(56 1)	35x 50	2. 69	EJ561LG K2G-3550M
	62 0(62 1)	35x 50	2. 82	EJ621LG K2G-3550M
	68 0(68 1)	35x 50	2. 90	EJ681LG K2G-3550M
82 0(82 1)	35x 60	3. 02	EJ821LG K2G-35600M	

额定电压 W.V. (V)	静电容量 CAP (μF)	外型尺寸 φ D x L (mm)	额定纹波电流 Ripple current (A)	品号 Part No.
420 (2S)	33 0(331)	35x 35	1. 90	EJ331LG K2S-3535M
	36 0(361)	35x 35	1. 98	EJ361LG K2S-3535M
	39 0(391)	35x 40	2. 13	EJ391LG K2S-3540M
	42 0(421)	35x 40	2. 24	EJ421LG K2S-3540M
	47 0(471)	35x 45	2. 60	EJ471LG K2S-3545M
	56 0(561)	35x 50	2. 70	EJ561LG K2S-3550M

额定电压 W.V. (V)	静电容量 CAP (μF)	外型尺寸 φ D x L (mm)	额定纹波电流 Ripple current (A)	品号 Part No.
450 (2W)	33 0(331)	35x 40	2. 10	EJ331LG K2W -3540M
	36 0(361)	35x 40	2. 16	EJ361LG K2W -3540M
	39 0(391)	35x 45	2. 26	EJ391LG K2W -3545M
	42 0(421)	35x 45	2. 53	EJ421LG K2W -3545M
	47 0(471)	35x 50	2. 70	EJ471LG K2W -3550M